

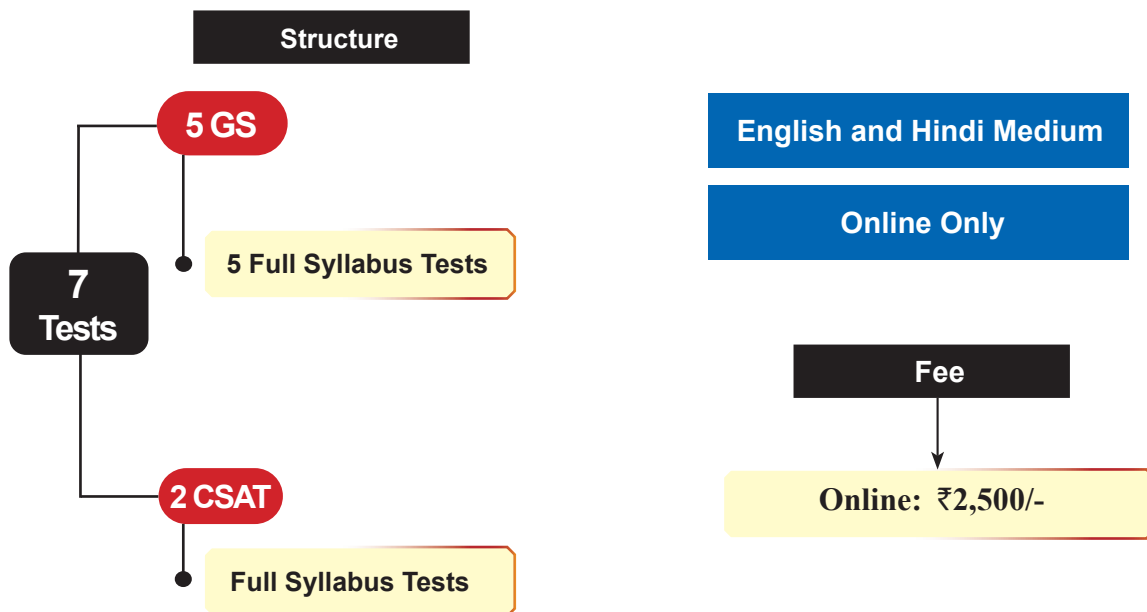


Think IAS Think Drishti

I.A.S. Prelims Quick Test Series-2021

Starting: 11th July, 2021

Total 7 Tests



Test will go live at 10 AM on the scheduled day.

641, First Floor, Dr. Mukherjee Nagar, Delhi-110009

Contacts: 011-47532596, 87501 87501

E-mail : info@drishtias.com, helpline@groupdrishti.com

Website : www.drishtias.com

- ❖ How to prepare the Static portion and Current Affairs simultaneously?
- ❖ How to ensure that the entire syllabus is covered prior to October 10th, 2021?
- ❖ How to maintain your mental and psychological balance in the examination hall?
- ❖ How to practice answering questions correctly with the help of smart-techniques like elimination method, avoiding the extremes, etc.?

Dear Students,

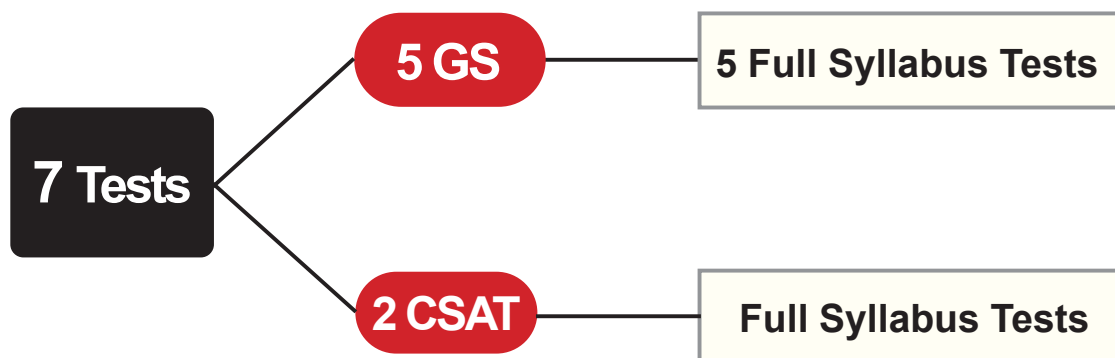
No serious aspirant of UPSC Civil Services exam can take the risk of ignoring the aforementioned questions. Your selection in UPSC CSE depends on your ability to work through these questions and arrive at the right answers.

We at Drishti, using our vast experience of successfully guiding and mentoring students, have designed the programme **Drishti Prelims Test Series-2021** to help you in figuring out a solution to these questions. We invite you to join us in this programme to give a boost to/augment your preparations.

Salient Features of Drishti Prelims Test Series:

- Comprehensive coverage of entire syllabus of UPSC CSP exam through UPSC standard MCQs.
- Thorough coverage of each subject in the given time and subject-wise evaluation of students' progress.
- Comprehensive coverage of 16 Months Current Affairs, right from January 2020 to September 2021.
- Proportional presence of questions of every nature- ranging from factual to conceptual ones.
- Practice of application of different tactics of choosing the correct answer viz. elimination tactics, avoiding the extremes and so on.
- Tests in same manner as real examination hall in order to prepare students mentally as well as psychologically to maintain exam pressure and help them efficiently manage their time.
- Performance Analysis of aspirants, Section wise analysis, Difficulty Analysis, All India Rank, comparison with toppers, Integrated Score Card, Analysis of Mock Test papers based on difficulty level & nature of questions etc
- Opportunity to continuously assess one's performance and improve upon the strategy.
- Detailed explanation to mock questions covering the entire gamut of information on important areas for deep understanding of the topics.

Structure:



Relative importance of different segments of General Studies on the Basis of analysis of CS Prelims' previous eight years papers

The proportion, in which questions are going to be asked from the different sections of the syllabus in the General Studies paper, is not fixed. Generally, more questions were asked from History, Polity, Environment and Ecology, Economics and Geography, but 2016 witnessed an overhaul in this pattern. This tendency of change of pattern was apparent in the 2020 paper as well. Thus, the proportional distribution of questions is something which is very uncertain. The following table can help you know the proportion of questions asked from various sections from 2012 to 2020.

| Segments | 2012 | 2013 | 2014 | 2015 | 2016 | 2017 | 2018 | 2019 | 2020 |
|------------------------------|------------|------------|------------|------------|------------|------------|------------|------------|------------|
| History of India | 20 | 16 | 19 | 16 | 16 | 13 | 22 | 16 | 19 |
| Indian Polity & Governance | 21 | 17 | 10 | 13 | 6 | 22 | 13 | 15 | 18 |
| Geography of India & World | 17 | 18 | 20 | 18 | 3 | 8 | 9 | 8 | 6 |
| Environment & Ecology | 14 | 14 | 20 | 12 | 16 | 17 | 10 | 19 | 20 |
| Indian Economy & Development | 14 | 18 | 11 | 16 | 15 | 29 | 22 | 20 | 23 |
| General Science & Technology | 10 | 16 | 12 | 9 | 7 | 3 | 14 | 15 | 12 |
| Current Affairs | 04 | 01 | 08 | 16 | 37 | 8 | 10 | 7 | 2 |
| Total | 100 | 100 | 100 | 100 | 100 | 100 | 100 | 100 | 100 |

The table given below highlights that how many questions have been asked from different sections of CSAT in the last eight years.

Break down of questions asked in CSAT 2012-2019

| Segments | 2012 | 2013 | 2014 | 2015 | 2016 | 2017 | 2018 | 2019 | 2020 |
|-----------------------------------|-----------|-----------|------------|-----------|-----------|-----------|-----------|-----------|-----------|
| Reading Comprehension (Bilingual) | 32 | 24 | 26 | 30 | 27 | 30 | 26 | 30 | 25 |
| English Comprehension | 8 | 8 | 6* | 0 | 0 | 0 | 0 | 0 | 0 |
| Basis Numeracy | 3 | 9 | 16 | 20 | 28 | 24 | 17 | 26 | 22 |
| Data Interpretation/Sufficiency | 0 | 5 | 5 | 0 | 0 | 0 | 12 | 10 | 8 |
| Reasoning /Analytical Ability | 30 | 28 | 27 | 30 | 25 | 26 | 25 | 14 | 22 |
| Decision Making & Problem Solving | 7 | 6 | 0 | 0 | 0 | 0 | 0 | 0 | 3 |
| Total | 80 | 80 | 80* | 80 | 80 | 80 | 80 | 80 | 80 |

*In 2014, the evaluation of questions from English Comprehension were not taken into consideration, which means that only 74 questions were taken for calculating the the cut-off. From year 2015 onwards, English comprehension was removed from the CSAT question paper.

Prelims Test Series – 2021 (Complete Schedule)

Total Tests 7 (5 GS + 2 CSAT)

| TEST CODE | DATE | SUBJECT |
|-----------|-------------------------------|-------------------------|
| 21F1 | 11 July 2021 (Sunday) | Full Test GS 1 |
| 21F2 | 25 July 2021 (Sunday) | Full Test GS 2 |
| 21F3/21F6 | 08 August 2021 (Sunday) | Full Test GS 3 + CSAT 1 |
| 21F4 | 29 August 2021 (Sunday) | Full Test GS 4 |
| 21F5/21F7 | 12 September 2021 (Sunday) | Full Test GS 5 + CSAT 2 |

Detailed Syllabus

Full Test (GS) will cover:

- Current events of national and international importance;
- History of India and Indian National Movement;
- Indian and World Geography-Physical, Social, Economic Geography of India and the World;
- Indian Polity and Governance-Constitution, Political System, Panchayati Raj, Public Policy, Rights Issues, etc;
- Economic and Social Development-Sustainable Development, Poverty, Inclusion, Demographics, Social Sector Initiatives, etc;

- General issues on Environmental ecology, Bio-diversity and Climate Change - that do not require subject specialization;
- General Science.

CSAT will cover:

- Comprehension;
- Interpersonal skills including communication skills;
- Logical reasoning and analytical ability;
- Decision making and problem solving;
- General mental ability;
- Basic numeracy (numbers and their relations, orders of magnitude, etc.) (Class X level), Data interpretation (charts, graphs, tables, data sufficiency etc. — Class X level).